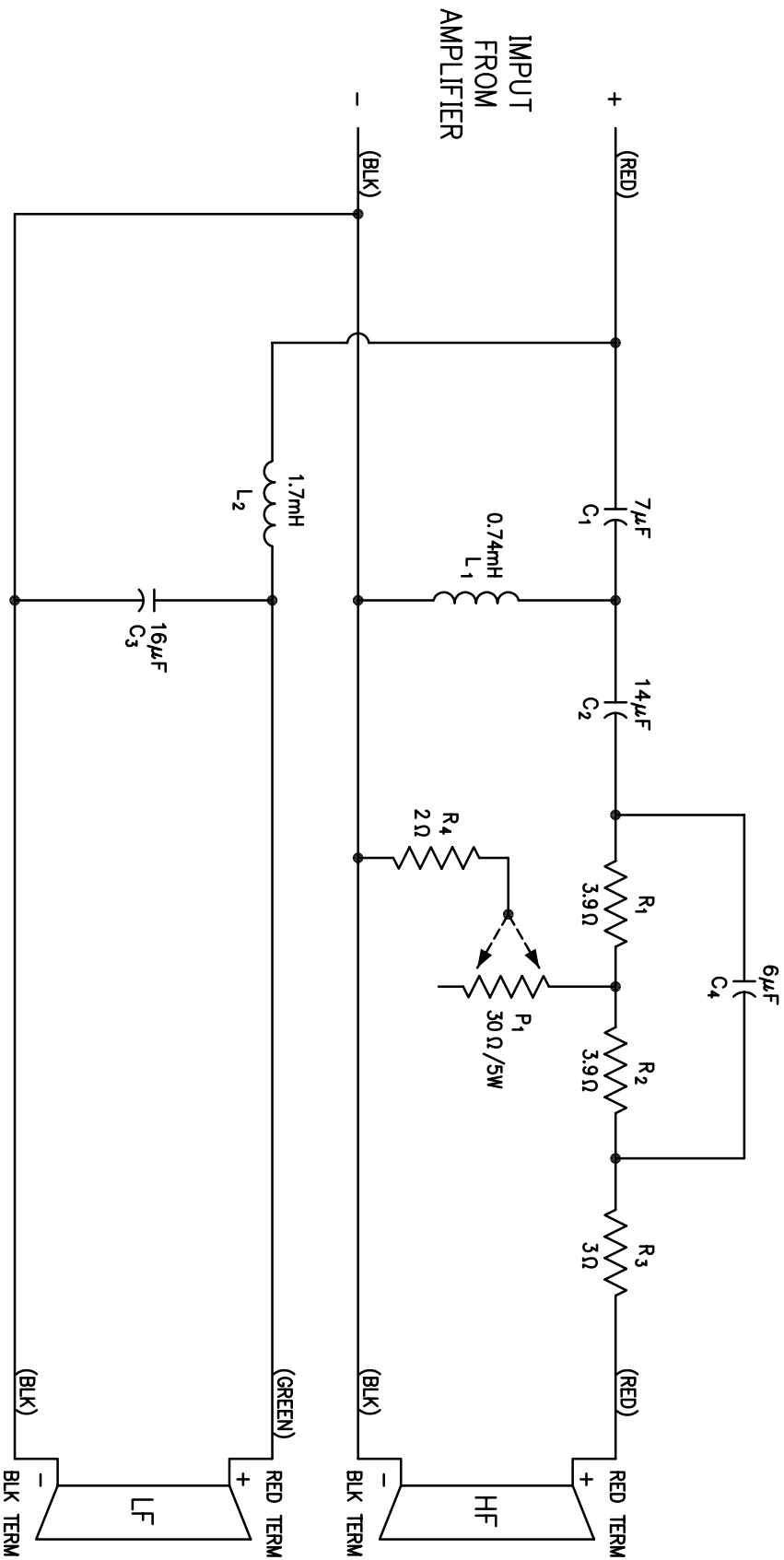


SIMPLIFIED ALTEC MODEL 604-8H NETWORK. FOR USE ON 8 OHM ALTEC LANSING 604-8G, SEE NOTE 6 BELOW.



NOTES:

- 1) CAPACITORS - METALIZED POLYPROPYLENE, 100V MIN.
- 2) INDUCTORS - COPPER FOIL AIR CORE, 16 GA. OR LARGER.
- 3) HOOK-UP WIRE - VAMPIRE CCC, 18 GA., STRANDED; COLOR AS INDICATED.
- 4) R_1 THRU R_4 10W NON-INDUCTIVE.
- 5) P_1 - USE 30Ω LEG OF 8 OR 16 OHM L PAD.
- 6) 604-8G VALUES: $C_1=6\mu\text{F}$; $C_2=12\mu\text{F}$; $L_1= 0.4\text{mH}$; $L_2=1\text{mH}$; $C_3=25\mu\text{F}$.