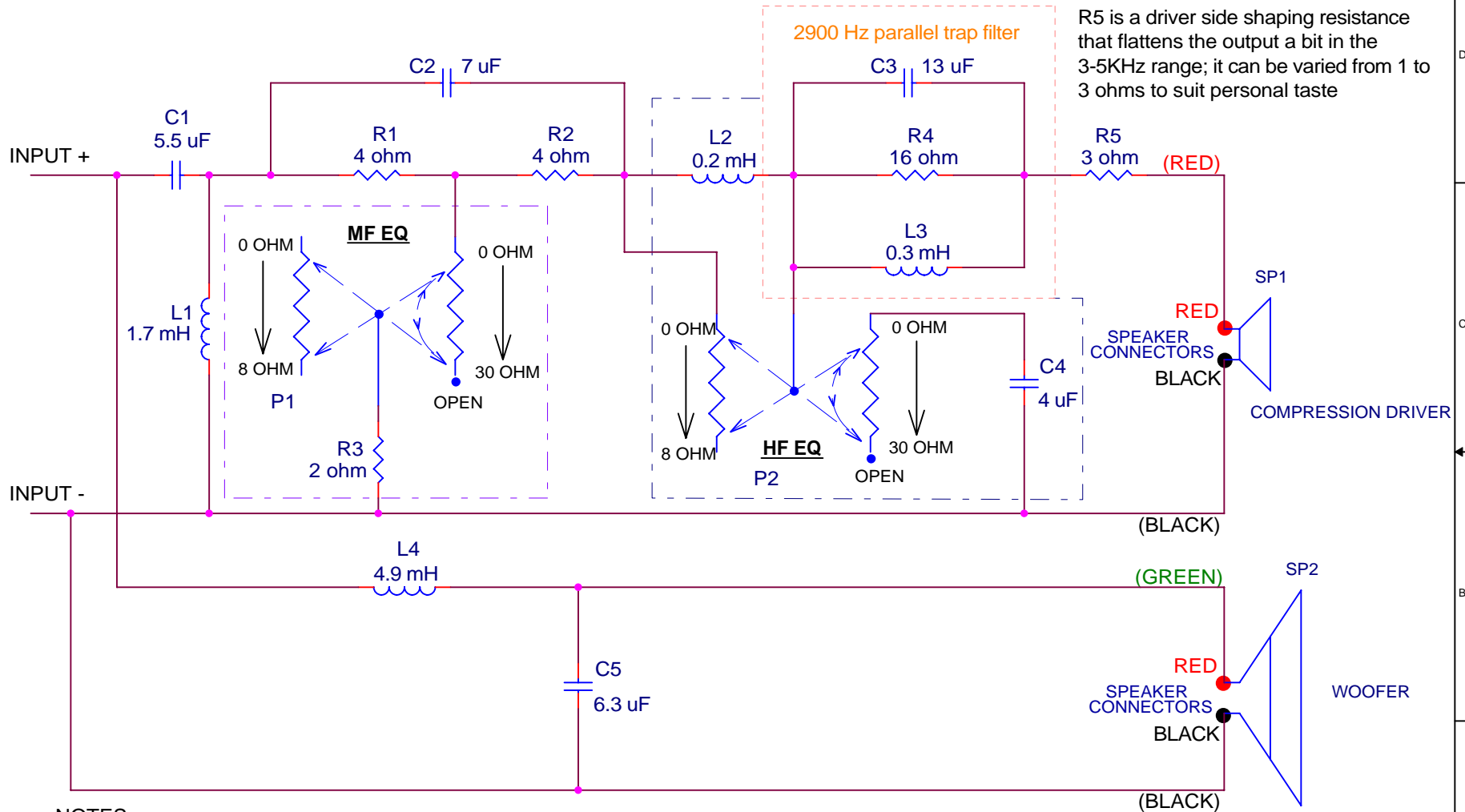


SECOND ORDER BUTTERWORTH FILTER - CENTERED AT 1650 HZ WITH A 30% FREQUENCY SPREAD FOR ALTEC 604-16X
 COMPRESSION DRIVER ACOUSTIC POLARITY REVERSED.

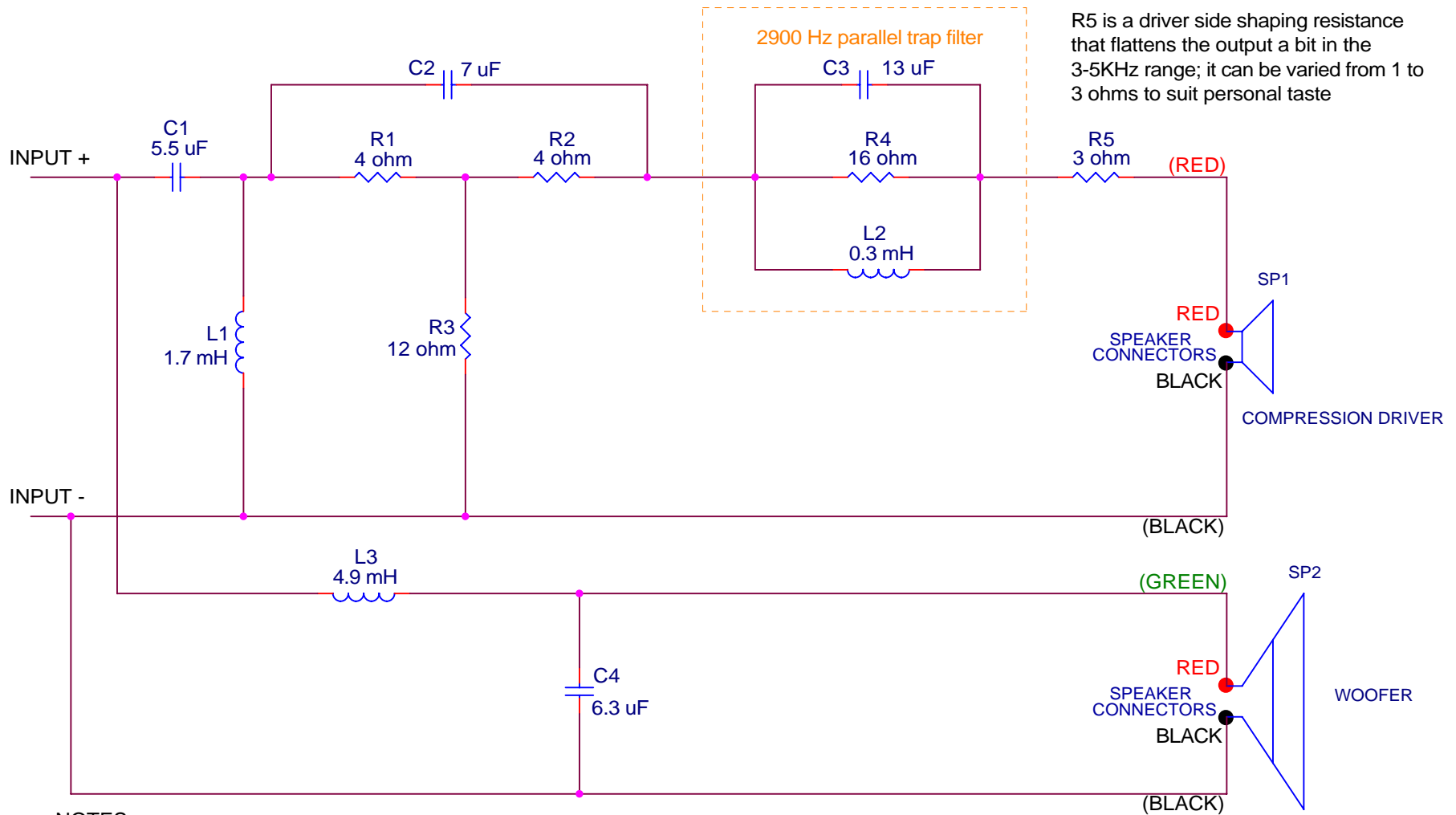


NOTES:

- CAPACITORS - METALIZED POLYPROPYLENE, 100V MIN.
- RESISTORS - 10W NON-INDUCTIVE
- INDUCTORS - COPPER FOIL AIR CORE: L1, L2, & L3 - 16 GA.; L4 - 14 GA.
- P1 & P2 - 8 OHM L-PADS
- WIRE - VAMPIRE CCC, 18 GA. STRANDED, (COLOR) AS INDICATED

Title CROSSOVER, ALTEC 604-16X		
Size A	Document Number Jeff Markwart - November 1, 2006	Rev 1
Date: Wednesday, November 01, 2006		Sheet 1 of 2

SECOND ORDER BUTTERWORTH FILTER - CENTERED AT 1650 HZ WITH A 30% FREQUENCY SPREAD FOR ALTEC 604-16X
 COMPRESSION DRIVER ACOUSTIC POLARITY REVERSED.



R5 is a driver side shaping resistance that flattens the output a bit in the 3-5KHz range; it can be varied from 1 to 3 ohms to suit personal taste

NOTES:

- CAPACITORS - METALIZED POLYPROPYLENE, 100V MIN.
- RESISTORS - 10W NON-INDUCTIVE
- INDUCTORS - COPPER FOIL AIR CORE: L1 & L2 - 16 GA.; L3 - 14 GA.
- WIRE - VAMPIRE CCC, 18 GA. STRANDED, (COLOR) AS INDICATED

Title		
CROSSOVER, ALTEC 604-16X, MINUS HF & MF CIRCUITS		
Size	Document Number	Rev
A	Jeff Markwart - November 1, 2006	1
Date:	Wednesday, November 01, 2006	Sheet 2 of 2