

SPECIFICATIONS

Frequency Response: 30 Hz - 20 kHz (see figure 1.)
 Power Rating: 100 watts continuous band limited (40 Hz - 16 kHz) pink noise with a 6 dB crest factor according to AES Standard 2.
 Sensitivity: 98 dB SPL from 1 watt input, measured at 1 meter
 Maximum Output: 119.5 dB SPL (at 1M, calculated from Sensitivity and Power Rating)
 Nominal Impedance: 8 ohms
 Crossover (Optional): N604-8A, 1,500 Hz, 12 dB/ Octave, Passive LF and HF

LF & HF Magnet Type: Alnico V
 LF Magnet Weight: 4.4 lbs. (2.0 kg)
 HF Magnet Weight: 1.2 lbs. (0.544 kg)
 Flux Density: LF = 13,000 Gauss
 HF = 15,500 Gauss

Transducer Components

Low Frequency: One low frequency woofer - 15-in. (381 mm) diameter cone
 3 in. (76 mm) diameter voice-coil
 High Frequency: One high frequency driver - 1-in. (25 mm) diameter throat exit
 1.75 in. (45 mm) diameter voice-coil

Input Connections: Spring-loaded push terminals

Recommended Enclosure details

Internal Volume: 8.5 ft.³ (240.7 l)
 Tuning: 35.4 Hz [1 each 4.6 in. (117 mm) diameter by 0.75 in. (19 mm) long duct for the above Internal Volume]

Finish: Textured Black Powdercoat

Weight

Net: 33 lbs. (14.97 kg)
 Shipping: 41 lbs. (18kg)

Thiele-Small Parameters

Free Air, Resonance (f_s): 26.24 Hz
 Equivalent Volume Compliance (V_{AS}): 14.660 ft.³ (415.2 l)
 Total Q (Q_{TS}): 0.301
 Electrical Q (Q_{ES}): 0.315
 Mechanical Q (Q_{MS}): 6.654
 Reference Efficiency (η_0): 2.27%
 D.C. Resistance (R_E): 7.31 ohms
 Peak Linear Displacement (X_{MAX}): 0.15 in. (4 mm)
 Effective Piston Diameter: 12.75 in. (324 mm)
 Effective Piston Area (S_D): 127.68 in.² (823.7 cm²)
 Peak Linear Volume Displacement (V_D): 19.15 in.³ (0.314 l)
 M(ms): 84.44 grams

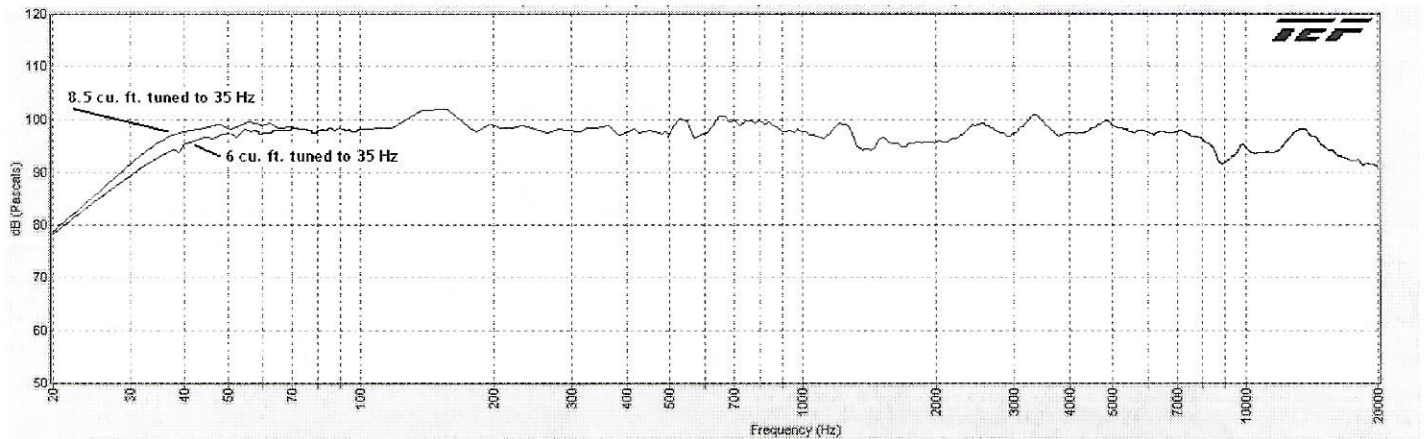
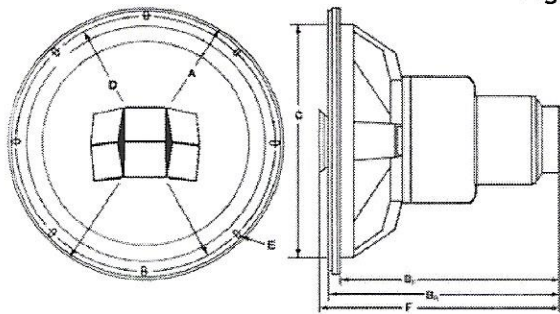


Figure 1. Frequency Response



DIMENSIONS

- A.) Outside Diameter: 16 in. (406 mm)
- B_F.) Front Mount: 11.375 in. (289 mm)
- B_R.) Rear Mount: 10.75 in. (273 mm)
- C.) Cut-out Diameter: 14.125 in. (359 mm)
- D.) Bolt Circle Diameter: 15 in. (381 mm)
- E.) Bolt Hole Dimension: ¼ in. (6 mm) x ¾ in. (19 mm)
- F.) Total Depth: 12.375 in. (314 mm)



7127 N.W. 3rd Street
 Oklahoma City, OK 73127
 405.789.0221
 www.greatplainsaudio.com

"The Legacy Lives On"™
 © Great Plains Audio LLC

Specifications subject to change without notice. Overall performance will be maintained or improved.

GPA-604E-II-REV. 1, 08/22/12

04/18/13